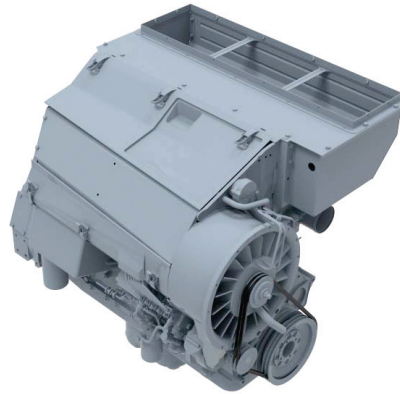


# TCD 914M

for marine applications

65 - 137 kW|87 - 184 hp at 1500/1800 min<sup>-1</sup>|rpm  
emission certified & type approved

- Air-cooled 6-cylinder engine for auxiliary drives with turbocharging and charge-air cooling.
- Due to the air cooling, the integration of the engine into the classic engine-cooling version of marine engines is omitted. Installation of the unit onto the deck is possible.
- The very compact engine design and the flexibility of the positioning of the unit reduce the installation costs.



- Low fuel consumption, low maintenance costs and long life reduce the running costs.
- DEUTZ marine engines are developed especially for the requirements of marine applications and meet the requirements of the classification societies. Type Approvals of the IACS classes<sup>1)</sup> and other classes are available on request.
- The robust engine design allows worldwide operation even with high sulphur fuels.

## Technical data

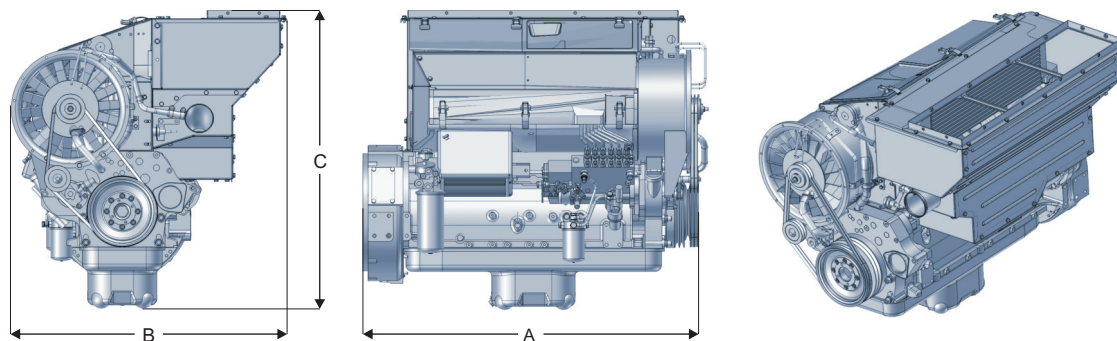
Engine type				TD 914 L6M	TCD 914 L6M
No. of cylinders				6	6
Bore/stroke		mm   in	102/125   4.02/4.92	102/125   4.02/4.92	
Displacement		l   cu in	6.1   374	6.1   374	
Compression ratio				17:1	17:1
Nominal speeds auxiliary engines		min <sup>-1</sup>   rpm	1500 / 1800	1500 / 1800	
Specific fuel consumption <sup>2)</sup>		g/kWh   lb/hph	220   0.36	200   0.33	
Power output <sup>3)</sup>				TD 914 L6M	TCD 914 L6M
Auxiliary engines	- LG G	50Hz	kW   hp	77   103	99   133
		60Hz	kW   hp	99   133	129   173
	- LG N	50Hz	kW   hp	88   118	113   152
		60Hz	kW   hp	106   142	137   184
Auxiliary engines	- LG C		kW   hp	112   150	120   161

**LG G:** Unlimited continuous operation with unlimited workload.  
**LG N:** Unlimited continuous operation with limited workload.  
 Operating time with more than 90% of maximum power: max. 6000 oh p.a.<sup>4)</sup>  
 Admissible workload: max. 80% of rated power.

- 1) IACS – International Association of Classification Societies
- 2) Best full load consumption refers to diesel with a density of 0.835 kg/dm<sup>3</sup> at 15°C | 6.96 lb/US gallon at 60°F.
- 3) Capacity data in accordance with ISO 3046-1.  
Further ratings on request.
- 4) oh p.a.: Operating hours per year

The data on this data sheet are for information purposes only and are not binding values. The data in the quotation is definitive.

## Dimensions



		<b>A</b>	<b>B</b>	<b>C</b>	<b>Weight</b>
TD 914 L6M	mm   in	1190   47	965   38	1048   41	555 kg   1224 lb
TCD 914 L6M	mm   in	1190   47	965   38	1048   41	570 kg   1257 lb

Note: The engine dimensions and weights vary depending on the scope of delivery.